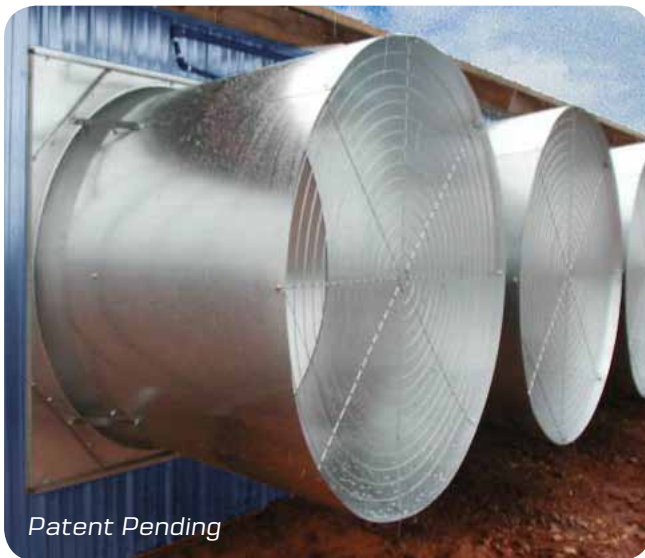




54-inch (137.2-cm) diameter fan model is designed for more airflow and faster, more convenient installation.

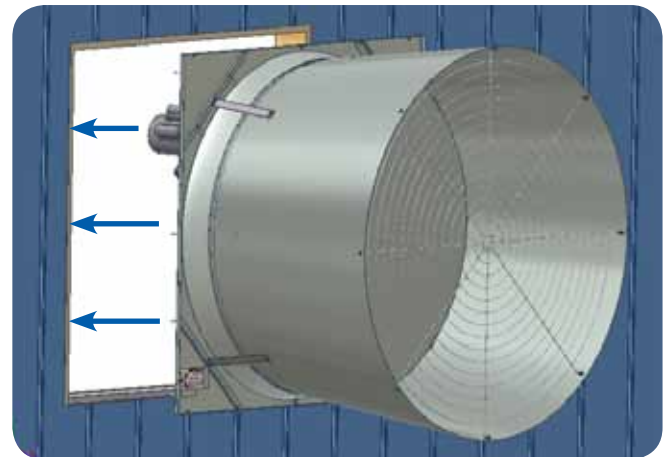


Includes features common to ProTerra's industry-leading 48- and 52-inch (121.9- and 132.1-cm) Fans with BI-FLOW[®] Shutters

- Uses heavy-gauge, galvanized steel panels with screw fasteners and a rugged, galvanized steel blade.
- Available packaged individually or bulk packaged for greater shipping efficiency.
- Automatic belt tensioning system maintains constant optimum belt tension on the fan's easy-to-change belt.
- Heavy-duty, cast iron, air-handler type bearings are self-aligning, pre-lubricated and shielded from dust and moisture.

Get more airflow with fewer fans for new construction

- Mounts to the outside of the framed opening.
- Transfers fan weight to wall, reducing stress and wear on fan parts.
- Can be installed on 5-foot (1.5-m) centers.
- Interior screen mounts securely to the wall instead of to the fan for quieter operation.
- Tighter seal limits light and air leakage.



Get easier installation and improved airflow in retrofit applications

Easily replace older, inefficient 48-inch fans and get 30-35% more airflow.

- For new construction, uses same sidewall opening as 52-inch fan.
- For replacement applications, can be mounted to rough openings from most existing 48-inch through 54-inch fans.
- No need to reframe sidewalls or update wiring before installation in many cases.

ProTerra® BI-FLOW® Shutters Deliver Up To 10% More Air



ProTerra's BI-FLOW® Shutter Improves Fan Performance

- Delivers up to 10% more air with 75% less opportunity for air to leak through compared to a traditional louver shutter.
- BI-FLOW® Doors do not suffer the typical 12-15% loss of efficiency and air speed typical of dirty louver-style shutters, so air speed is maintained over time.
- The BI-FLOW® Shutter consists of only two moving parts for greater reliability and easier cleaning.



Fiberglass Models Also Available



BI-FLOW® Shutter doors are pushed open as air is exhausted when fan operates.

Shutter's unique springs draw the doors closed when the fan is not in operation.



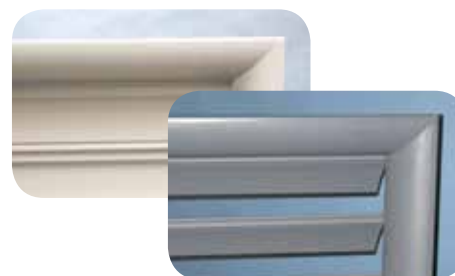
Idler Tensioner Maintains Belt Tension



The ProTerra® Idler Tensioner provides smoother operation and maintains constant optimum belt tension.

ProTerra® Louver Shutter Option

- Belled shutter has a curved, aerodynamic frame with flexible louver edges to help seal the fan's opening.
- Corrosion-proof vinyl construction with a rigid vinyl frame and fiberglass rod louver hinges.
- Louvers are easy to replace and have a smooth, easy-care finish for low maintenance.





48- or 52-Inch BI-FLOW® Models



36-, 48- or 52-inch Slant-Wall Models



52-Inch BI-FLOW® Fans



48-Inch Light Control Fans

ProTerra® Metal Fans

Performance, features and value.

ProTerra® Metal Cone Fan Features

- Factory-assembled using heavy-gauge, galvanized steel panels with screw fasteners.
- Smaller fans have galvanized steel blades, while the 52-inch (132.1-cm) model has blades made of even heavier gauge galvanized steel.
- Automatic belt tensioning system uses an idler arm and pulley to maintain constant optimum belt tension on the fan's easy-to-change belt.
- Heavy-duty, cast iron, air-handler type bearings are self-aligning, pre-lubricated, and include a zerk fitting, as well as being shielded from moisture and dust.



Box and panel fans also available.

ProTerra® Fiberglass Fans

One-Piece Cone Improves Air Flow up to 14%; Efficiency up to 21%.

ProTerra® Fiberglass Cone Fan Features

- Corrosion-resistant, reinforced-fiberglass housing with aluminum motor mounts and a heavy cast-aluminum blade.
- Backed by ProTerra® Systems' generous extended warranty including limited lifetime coverage for housing and blade, and a bonus year on motors. (See ProTerra® Full Written Warranty for complete warranty details.)
- High CFM and CFM/watt, even under high static pressure.
- Heavy-duty, cast iron, air-handler type bearings are self-aligning, pre-lubricated, and include a zerk fitting, as well as being shielded from moisture and dust.
- Grill simply snaps into impact-resistant, polyethylene, one-piece cone with no fasteners required.

The ProTerra® 48-inch (121.9-cm) fan is also offered in a light-restricting version with a black interior housing surface and a black cone.



Fan Specifications

Size	Material	Style	Drive	Shutter	Type	Phases (All 60 Hz except as noted)	Fan P/N	.05 Static Pressure		.10 Static Pressure		Air Flow Ratio	Bess Labs Test No.
								CFM	CFM/ Watt	CFM	CFM/ Watt		
54 inch (137.2 cm)	Metal	Cone	BD	Bi-Flow	High-Cap	1	A52157-21	30,800	22.0	28,900	19.4	0.80	09080p
54 inch (137.2 cm)	Metal	Cone	BD	Bi-Flow	Energy-Eff	1	A52157-22	27,700	25.3	25,800	22.0	0.78	09081p
54 inch (137.2 cm)	Metal	Cone	BD	Bi-Flow	High-Cap	3	A52157-41	30,700	22.4	28,900	19.9	0.79	09083p
54 inch (137.2 cm)	Metal	Cone	BD	Bi-Flow	Energy-Eff	3	A52157-42	27,500	25.6	25,500	22.1	0.78	09082p
54 inch (137.2 cm)	Metal	Cone	BD	Bi-Flow	High-Cap	3 (50Hz)	A52157-51	30,200	22.8	28,200	19.9	0.78	09084p
54 inch (137.2 cm)	Metal	Cone	BD	Bi-Flow	Energy-Eff	3 (50Hz)	A52157-52	27,100	25.7	25,200	22.2	0.77	09085p
52 inch (132.1 cm)	Metal	Cone	BD	Bi-Flow	Energy-Eff	1	A49519-22	26,400	23.6	24,500	20.8	0.76	05186p
52 inch (132.1 cm)	Metal	Cone	BD	Bi-Flow	High-Cap	1	A49519-21	29,100	20.0	27,300	18.0	0.78	05188p
52 inch (132.1 cm)	Metal with Cast Aluminum Blade	Cone	BD	Bi-Flow	High-Cap	1	A50817-21	30,800	19.6	29,000	17.6	0.81	06246p
52 inch (132.1 cm)	Metal with Cast Aluminum Blade	Cone	BD	Bi-Flow	Energy-Eff	1	A50817-22	26,800	23.3	24,600	20.2	0.73	06247p
52 inch (132.1 cm)	Metal	Cone	BD	Bi-Flow	Energy-Eff	3	A49519-42	26,200	23.4	24,400	20.5	0.77	05191p
52 inch (132.1 cm)	Metal	Cone	BD	Bi-Flow	High-Cap	3	A49519-41	29,200	21.0	27,300	18.7	0.78	05189p
48 inch (121.9 cm)	Metal	Cone	BD	Bi-Flow	Energy-Eff	1	A49515-22	21,100	24.4	19,600	21.3	0.77	04326p
48 inch (121.9 cm)	Metal	Cone	BD	Bi-Flow	High-Eff	1	A49515-23	20,000	26.5	18,600	23.2	0.75	04325p
48 inch (121.9 cm)	Metal	Cone	BD	Bi-Flow	High-Cap	1	A49515-21	24,600	20.8	22,700	18.0	0.76	04327p
36 inch (91.4 cm)	Metal	Cone	DD	Bi-Flow	Standard	1	A50372-22	9,900	21.5	9,200	18.9	0.76	06241p
52 inch (132.1 cm)	Metal	SW-Cone	BD	Bell Louver	Energy-Eff	1	A48319-225	24,900	21.6	23,300	19.4	0.78	05198p
52 inch (132.1 cm)	Metal	SW-Cone	BD	Bell Louver	High-Cap	1	A48319-215	27,800	18.7	26,300	17.1	0.80	05197p
48 inch (121.9 cm)	Metal	SW-Cone	BD	Bell Louver	Energy-Eff	1	A48318-225	20,700	23.2	19,200	20.2	0.75	04321p
48 inch (121.9 cm)	Metal	SW-Cone	BD	Bell Louver	High-Eff	1	A48318-235	19,400	25.1	18,000	21.8	0.73	04322p
48 inch (121.9 cm)	Metal	SW-Cone	BD	Bell Louver	High-Cap	1	A48318-215	24,400	20.3	22,900	18.0	0.77	04323p
36 inch (91.4 cm)	Metal	SW-Cone	DD	Flat Louver	Standard	1	A44860-3622	10,210	17.9	9,460	15.9	0.75	99217p
36 inch (91.4 cm)	Metal	SW-Cone	BD	Flat Louver	Standard	1	A46130-3622	11,030	17.8	10,200	15.5	0.75	00174p
52 inch (132.1 cm)	Fiberglass	Cone	BD	Bi-Flow	Energy-Eff	1	A49740-22	27,000	23.5	24,900	20.8	0.73	04334p
52 inch (132.1 cm)	Fiberglass	Cone	BD	Bi-Flow	High-Cap	1	A49740-21	29,700	20.5	27,700	18.3	0.79	04312p
52 inch (132.1 cm)	Fiberglass	Cone	BD	Bi-Flow	Energy-Eff	3	A49740-42	27,100	23.3	24,800	20.5	0.73	04335p
52 inch (132.1 cm)	Fiberglass	Cone	BD	Bi-Flow	High-Cap	3	A49740-41	29,700	20.3	27,900	18.2	0.79	04318p
48 inch (121.9 cm)	Fiberglass	Cone	BD	Bell Louver	Energy-Eff	1	A38264-4825	23,600	21.2	22,100	19.0	0.74	04332p
48 inch (121.9 cm)	Fiberglass	Cone	BD	Bell Louver	High-Cap	1	A47898-4825	26,400	18.0	25,000	16.3	0.83	02473p
36 inch (91.4 cm)	Fiberglass	Cone	DD	Flat Louver	Standard	1	A38265-3622	10,970	18.6	10,200	16.8	0.73	96159p
36 inch (91.4 cm)	Fiberglass	Cone	BD	Flat Louver	Standard	1	A38589-3622	11,960	19.0	11,190	17.0	0.79	96199p
24 inch (61.0 cm)	Fiberglass	Cone	DD	Flat Louver	Var. Sp.	1	A40452-2422	5,990	16.2	5,550	15.0	0.73	98012p
18 inch (45.7 cm)	Fiberglass	Cone	DD	Flat Louver	Var. Sp.	1	A40452-1822	4,010	14.1	3,870	13.0	0.87	98008p
14 inch (35.6 cm)	Fiberglass	Cone	DD	Flat Louver	Var. Sp.	1	A40452-1422	2,030	13.8	1,910	12.6	0.78	98059p

ProTerra[®]
SYSTEMS
800-704-7356
www.proterrasystems.com



Agile Mfg., Inc. • A Subsidiary of CTB, Inc.
720 Industrial Park Road • Anderson, MO 64831
Phone 800-704-7356 • Fax 417-845-6069
E-mail: sales@agilemfg.com

