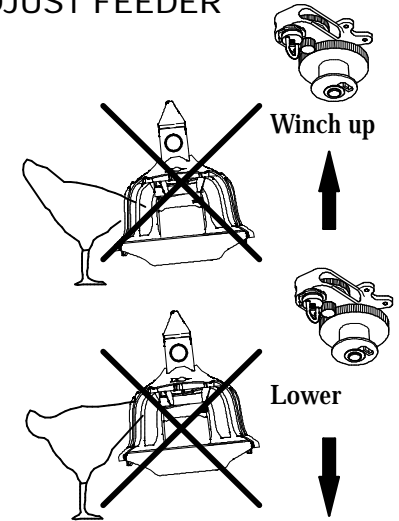
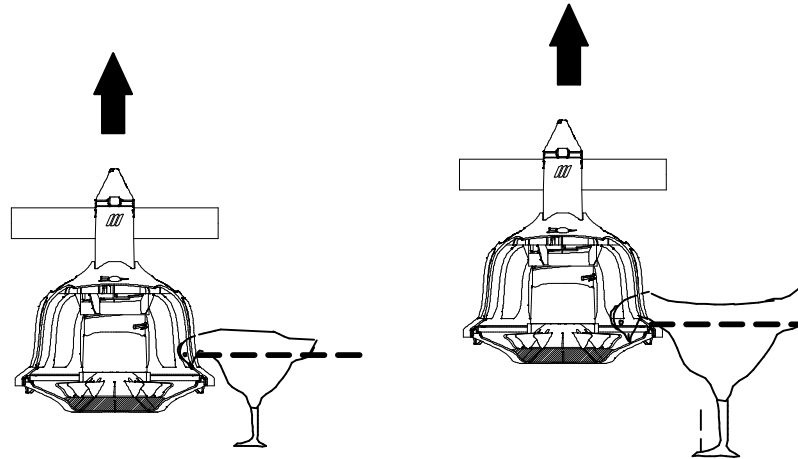
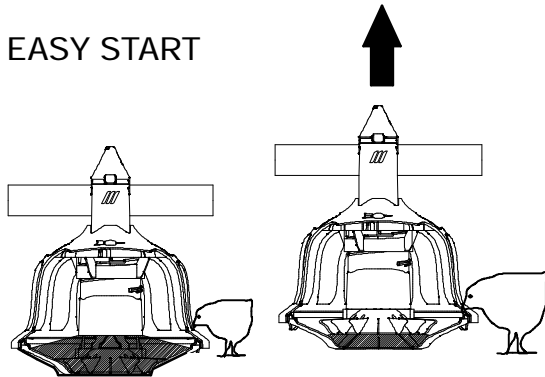


For floor feeding - from day-old chicks to broilers

AVOID FEED WASTAGE = ADJUST FEEDER HEIGHT

EASY START



Age of birds

0

1

2

3

4

5

6

Weeks

open feed windows

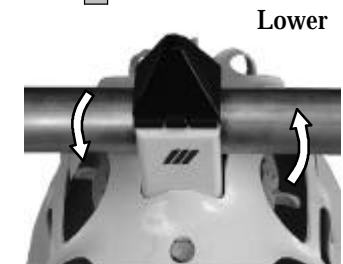
pans full
(manual operation)

closed feed windows

automatic operation on control unit

BROILERS

- free flowing feed : feed level ring in position 1, 2, 3 or 4
- difficult flowing feed : feed level ring in position 5, 6, 7 or 8.

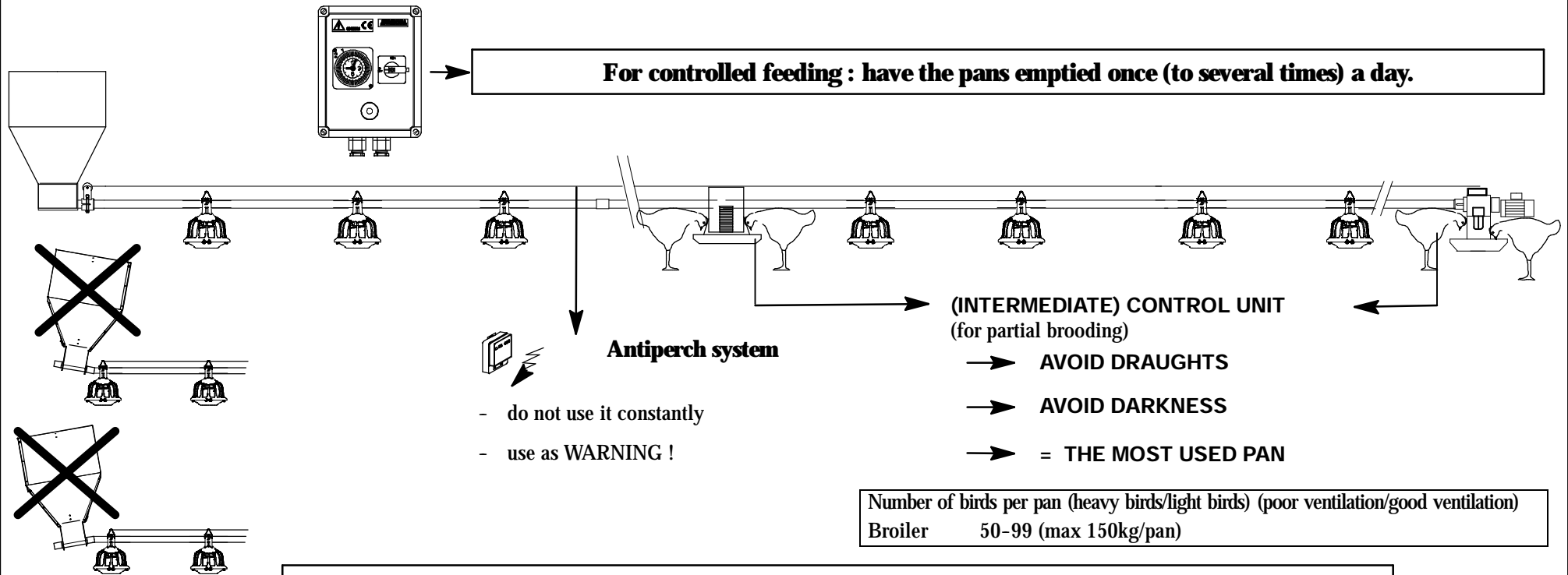




OPERATOR'S GUIDE



For controlled feeding : have the pans emptied once (to several times) a day.



CLEANING

- * The last day : run the tubes empty and let the birds empty the pans as much as possible.
- * Collect the feed residues by opening all pans, and empty them.
- * Protect electrical components against water.
- * Clean the whole system by means of a high-pressure cleaner.
- * When using aggressive detergents or disinfectants consult your supplier.

